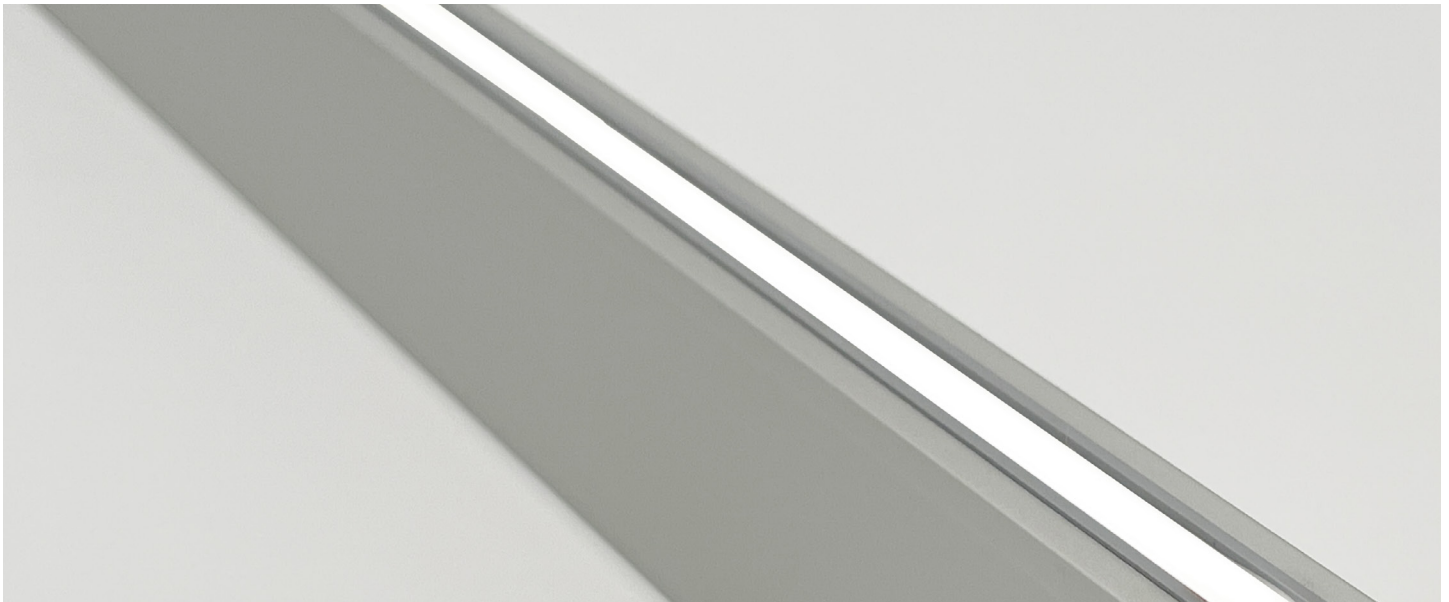


## Highlight

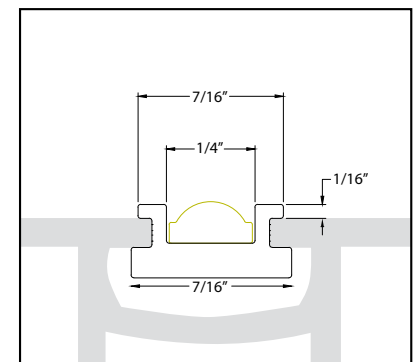
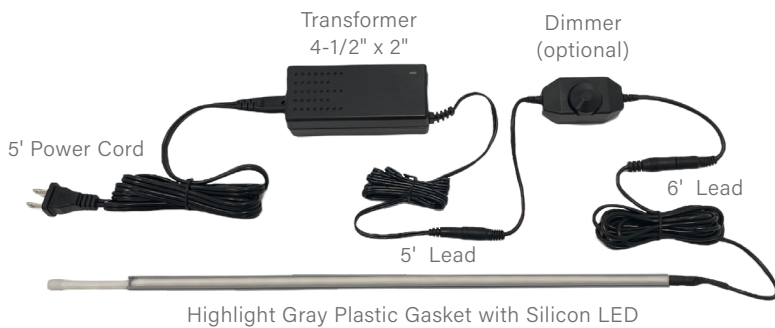
Accentuate the architectural lines of your exhibit with Highlight, a slim 24 Volt LED system exclusively designed to integrate with Agam's 130+ extrusions and Nexus.



Highlight shown on 20' x 20' predesigned frame kit available for purchase or rental



Highlight Shown in PH1035 Extrusion

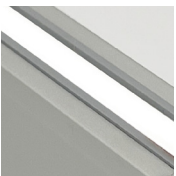


Sectional View

## Features

- Dimmable, allowing for complete control of the light intensity
- Designed to be customized with a cut length every  $1\frac{3}{16}$ "
- 5300K Cool White color temperature
- LED is protected in a silicone tube adhered to gray plastic gasket
- Gray plastic gasket slides in frame extrusion channel for easy installation
- Hotspot-free with continuous illumination featuring 98 LEDs per foot
- Plug and Play System for quick installation
- Features 90+ Color Rendering Index (CRI)
- 120-degree wide beam angle
- 24V Led System allowing for up to 16' - 4  $\frac{7}{8}$ " max run length

## Available Colors



Cool White