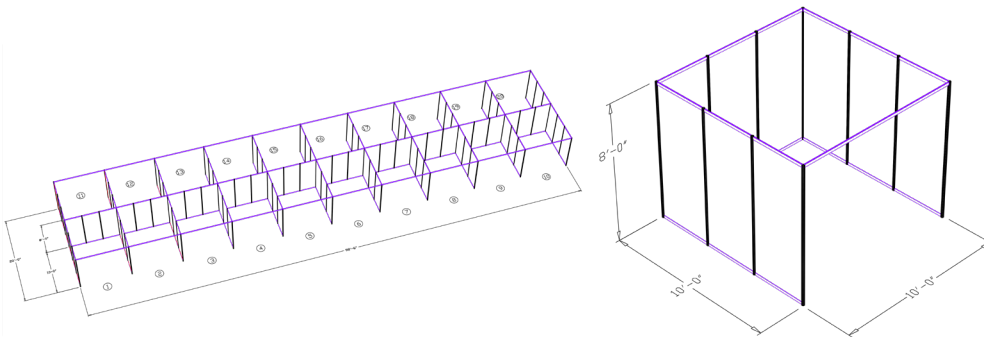


MEDICAL STRUCTURE CAPABILITIES



Agam manufactures temporary modular structures with its aluminum extrusion system. Structures can be assembled using one tool with our proprietary connectors. We can deliver temporary hospital rooms at high volume in standard or custom configurations.



CONTACT US!

CALL YOUR REGION TODAY:

Brian Kaltsas
South and West
C 1.408.300.2754
E bkaltsas@agam.com

Kelly Voss
Midwest
C 1.630.977.9679
E kvoss@agam.com

Kayla Gott
East
C 1.443.459.5608
E kgott@agam.com