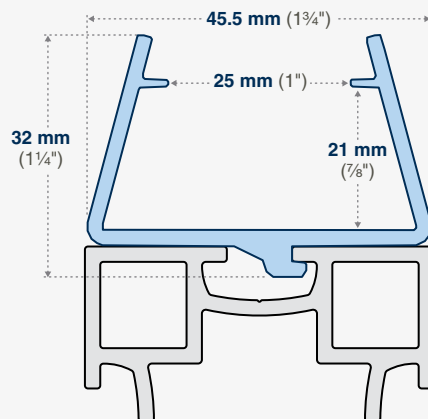
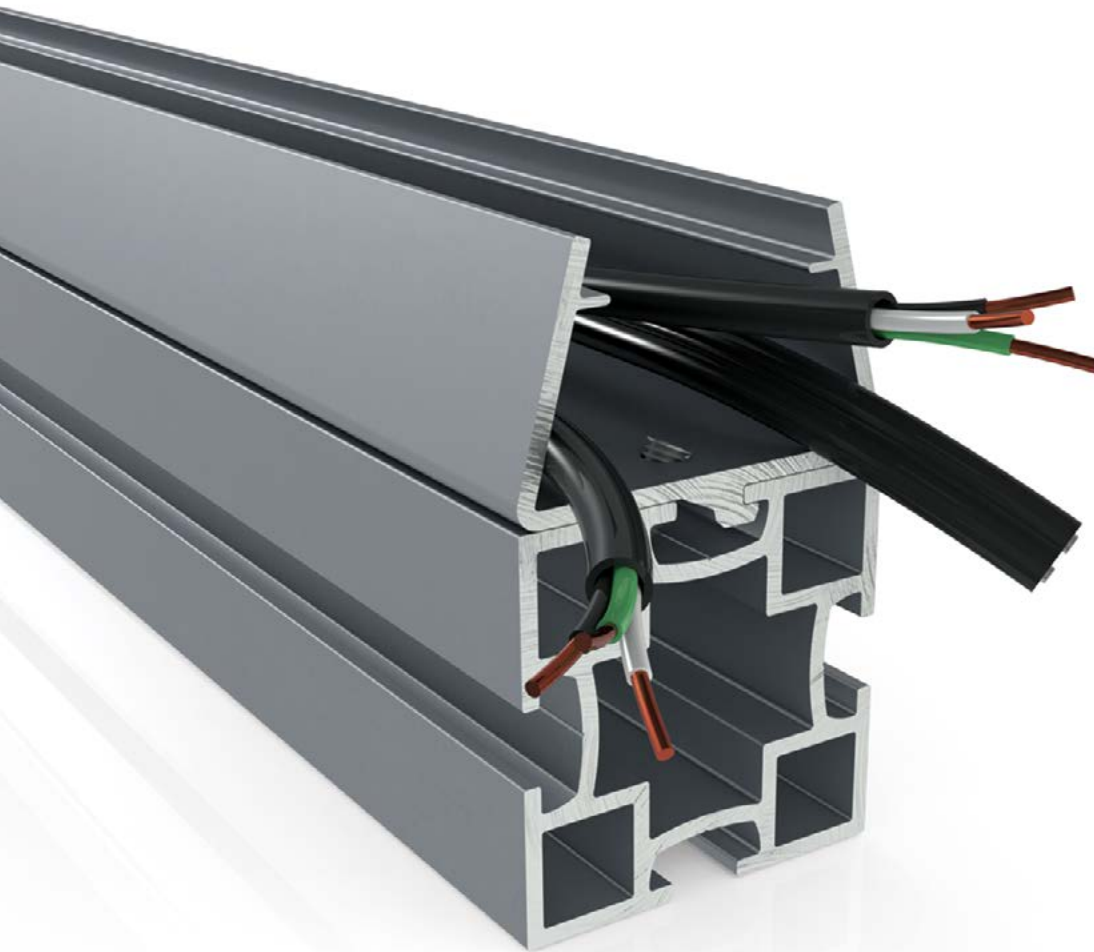


[View Technical Catalog](#) 



wire trough extrusion