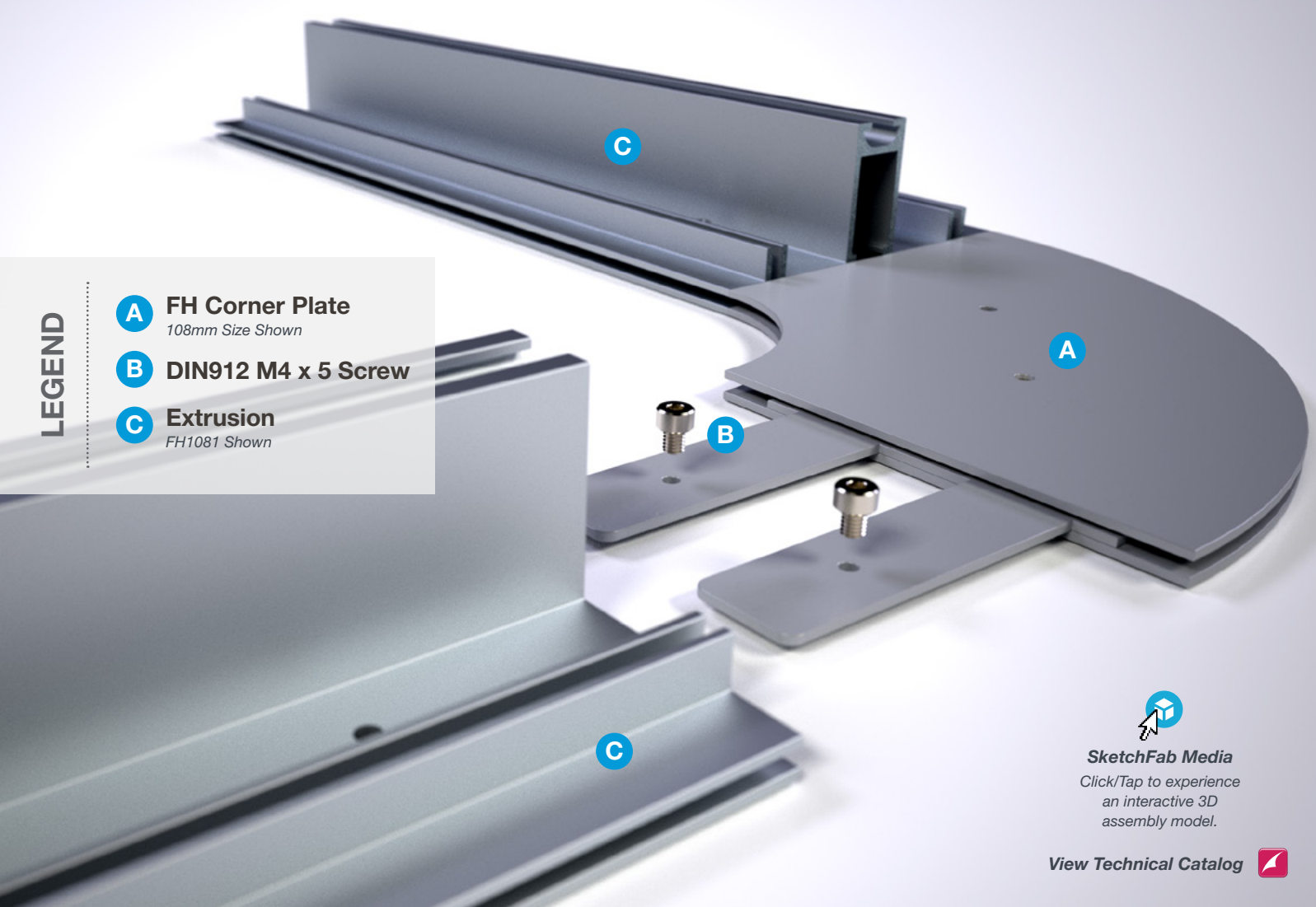


# FH Corner Plates

Turn Tight Corners With SEG Fabric

LEGEND

- A** FH Corner Plate  
108mm Size Shown
- B** DIN912 M4 x 5 Screw
- C** Extrusion  
FH1081 Shown

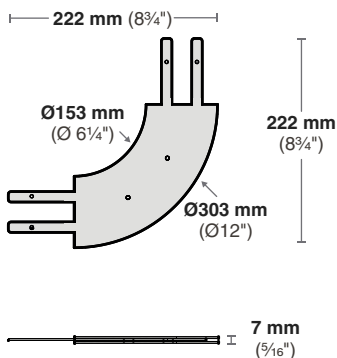


**SketchFab Media**  
Click/Tap to experience  
an interactive 3D  
assembly model.

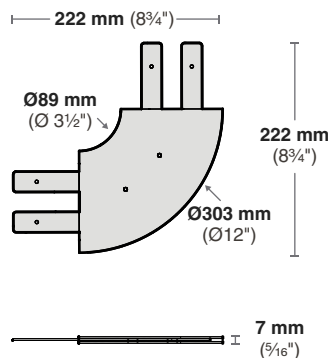
[View Technical Catalog](#)

Turn tight SEG fabric corners with FH Corner Plates.  
Custom sizes, diameters and angles available upon request.

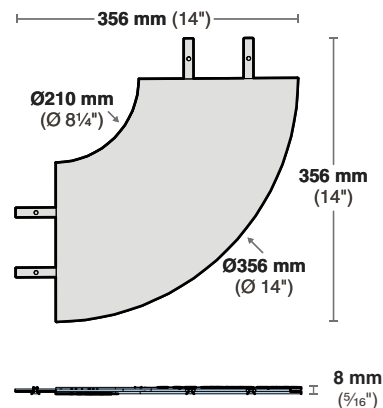
*(Certain minimum sizes, diameters and angle constraints may apply for custom FH Corner Plates. No backlit options available.)*



**FH76 CORNER PLATE**  
Reference: 217 76 01



**FH108 CORNER PLATE**  
Reference: 217 108 01



**FH2001 CORNER PLATE**  
Reference: 217 2001 01

**COMPATIBLE EXTRUSIONS:**

