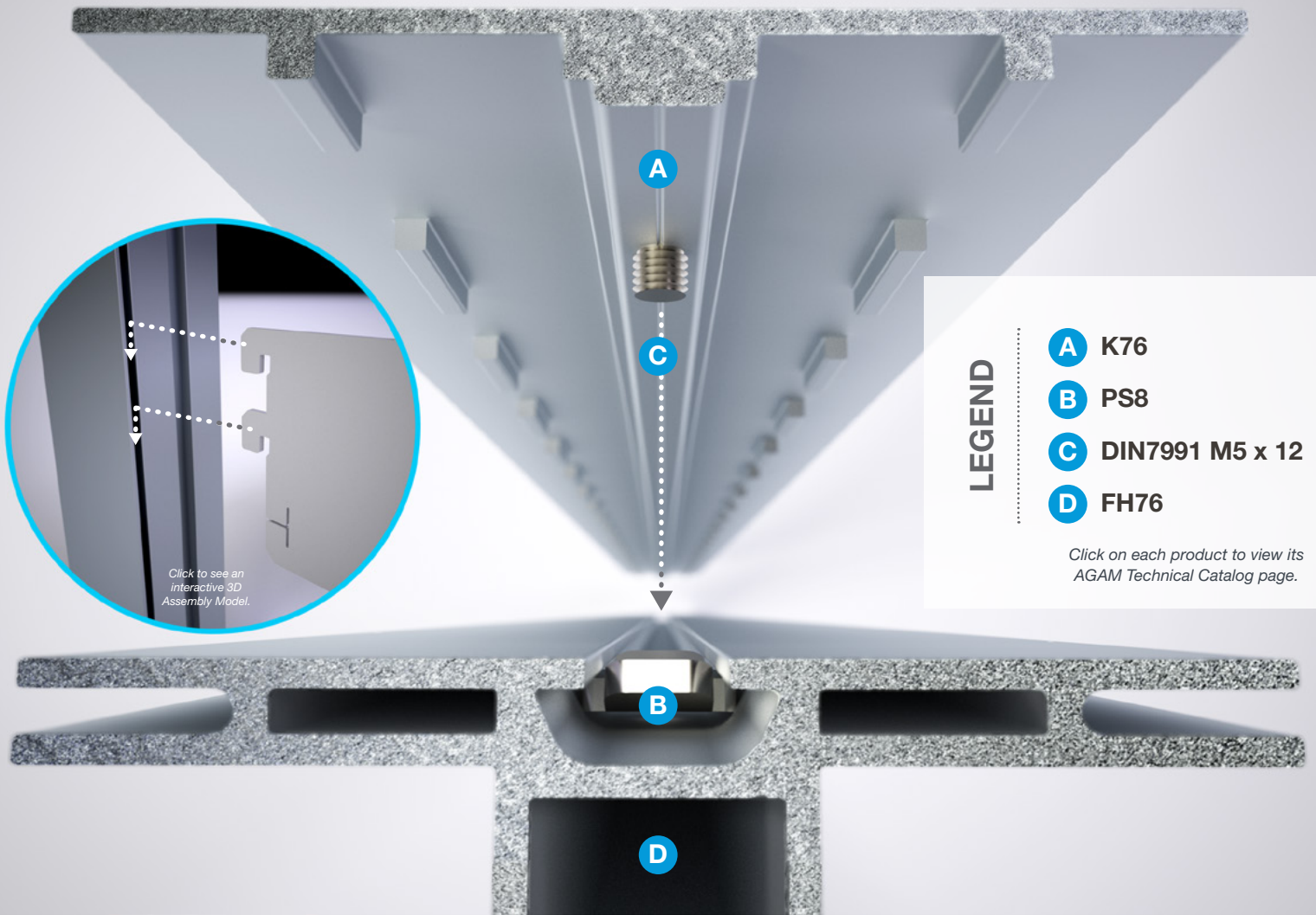


# K76 Extrusion

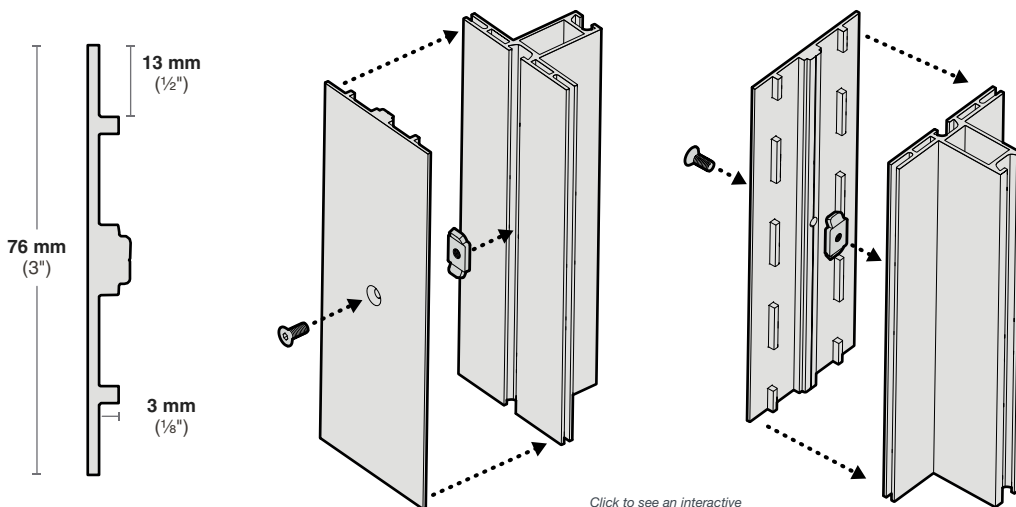


**LEGEND**

- A** K76
- B** PS8
- C** DIN7991 M5 x 12
- D** FH76

*Click on each product to view its AGAM Technical Catalog page.*

Gain shelving capabilities by attaching a milled K76 to select 76mm extrusions.



*Click to see an interactive 3D Assembly Model.*

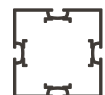
**COMPATIBLE EXTRUSIONS:**



FH762



VS4576



VS76