

# Transformer Mount

**Secure transformers in place.**





**LEGEND**

- A** Transformer Mount
- B** DIN912 M5 x 8 Screw
- C** Transformer
- D** PS2  
*With DIN916 M5 x 6 Set Screw*
- E** Extrusion  
*FH2001 Shown*



**Interactive 3D Model**

*Click to experience an assembly model.*

Securely mount lightbox transformers to any standard AGAM extrusion channel. Aluminum alloy material with baked thermoset powder coat finish.

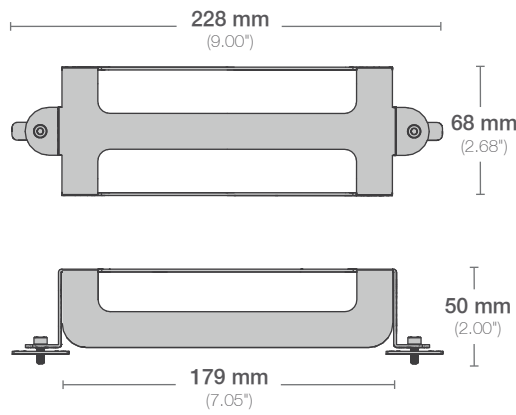
**INTENDED EXTRUSIONS:**



FH1001



FH2001



**OTHER COMPATIBLE EXTRUSIONS:**



PH1005



S345



VS45



6695 Business Parkway 1.410.796.6400 tel 1.410.796.0589 fax www.agam.com  
 Elkridge, MD 21075 USA 1.800.645.0854 tel 1.800.348.2426 fax info@agam.com