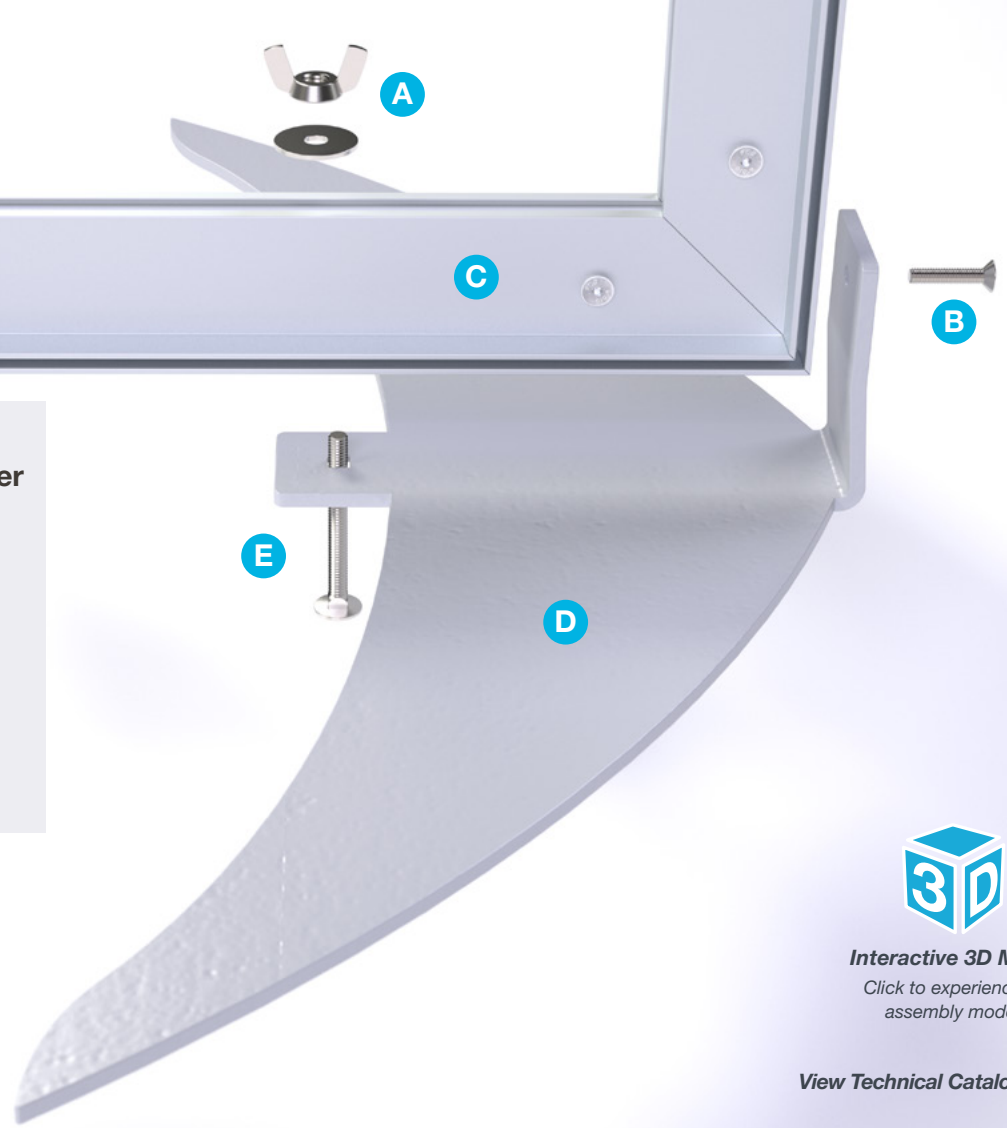


Crescent Base

**Providing unmatched stability
for fabric frames**

LEGEND

- A** Wing Nut and Washer
- B** DIN7991 M5 x 35
- C** Extrusion
FH451 Shown
- D** Crescent Base
- E** Carriage Bolt



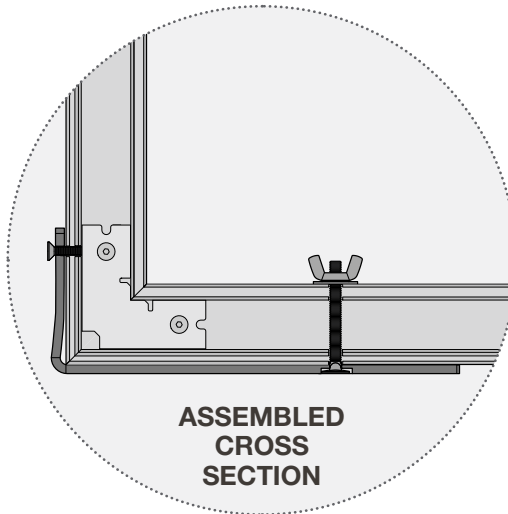
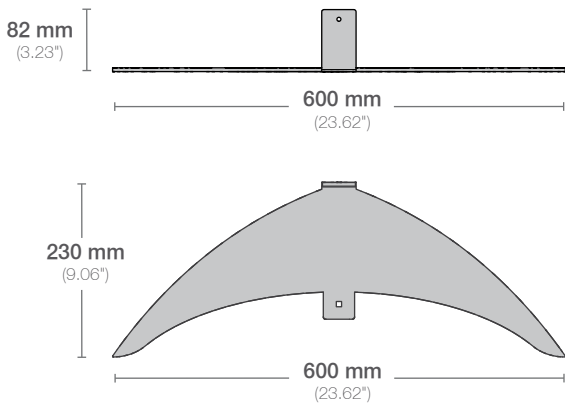
Interactive 3D Model
Click to experience an assembly model.

[View Technical Catalog](#)

Easily connect the Crescent Base to new or existing fabric frames for unparalleled support.

CRESCENT BASE

Reference: 625 FH CRESCENT



ASSEMBLED CROSS SECTION

COMPATIBLE EXTRUSIONS:

